

SERVICE BULLETIN

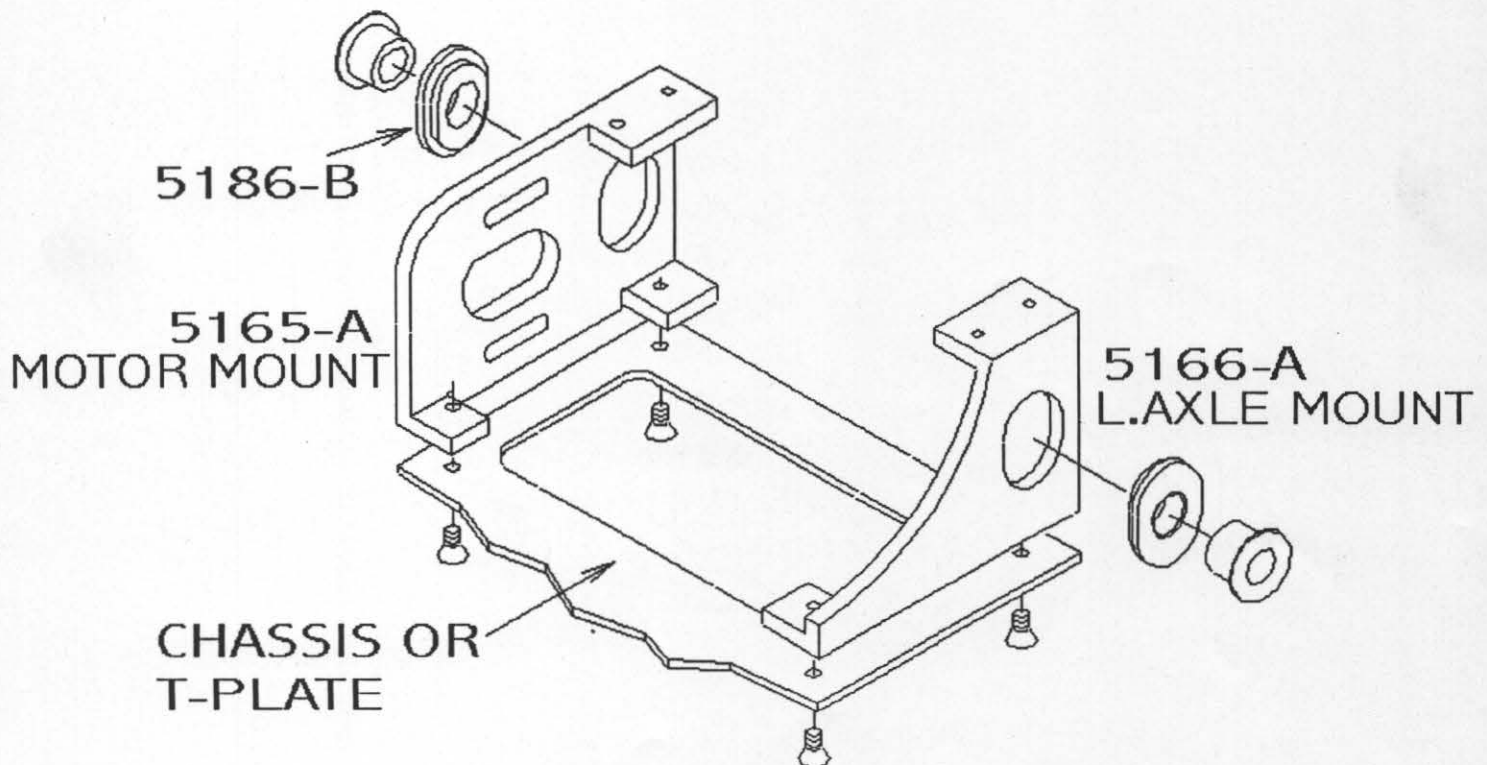
RE: MOTOR & AXLE MOUNT CHANGE

ALL OF OUR BOLINK KITS THAT USE OUR **BL-5165-S** AND **BL-5166-S** ALUMINUM MOTOR AND AXLE MOUNTS, HAVE BEEN CHANGED AS OF FEBRUARY 1, 2000.

KITS MADE AFTER FEB. 1, 2000 USE OUR NEW **BL-5165-A** AND **BL-5166-A** MOTOR AND AXLE MOUNTS. THESE USE THE **BL-5186-B** AXLE HEIGHT ADAPTORS, THAT ARE INSTALLED *BEFORE* THE BUSHINGS OR BEARINGS GO IN.

THE KITS THAT NOW USE THE AXLE HEIGHT ADAPTORS ARE LISTED BELOW:

BL-1320	SPORT 2000
BL-1321-C OR -F	MUSCLE CARS
BL-1337	ECONO-RAIL (5166-D LEFT AXLE MOUNT)
BL-1338	FUNNY CAR (5166-L LEFT AXLE MOUNT)
BL-1339-C OR -T	PRO STOCK CAR OR TRUCK
BL-1365	SUPER SPORT LTO
BL-1369	SUPER SPORT
BL-1363, 1366, 1367, 1368	SPORT SERIES



BoLINK R/C CARS, INC. 420 HOSEA ROAD, LAWRENCEVILLE, GA 30045
(770) 963-0252 FAX (770) 963-7334

www.bolink.com